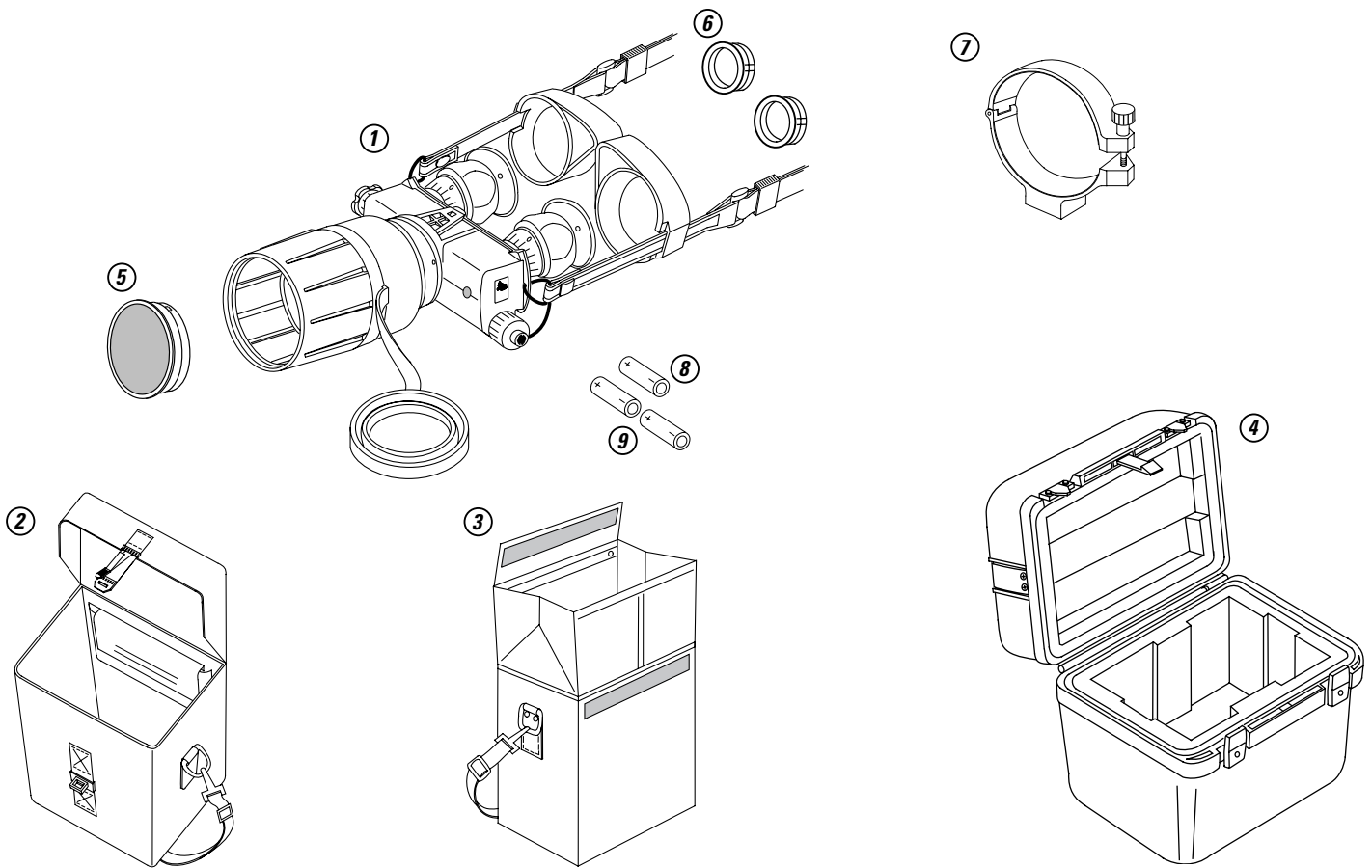


# LEICA BIG35 Night Binoculars



## Basic Equipment

Item.	Stock No.	Description
1	522 882	<b>BIG35 Night Binoculars with</b> 502 131 Lens cap 502 400 Eyecup (2 pieces required) 664 791 Eyepiece cap 704 708 Neck strap

## Optional Equipment

2	636 932	SVP246 Pouch, black, with accessories
3	428 339	SVP123 Heavy duty pouch, green, with accessories
4	429 733	SVP128 Transport case for SVP123
5	455 274	SFI53 Daylight filter
6	510 440	SDIV11 Demist shield for eyepiece (2 pieces required)
7	663 094	SAD48 Tripod adapter (1/4")
8	415 994	SEB18 Lithium battery, 2.8 V
9	354 914	GEB51 Alkaline battery 1.5V (2 pieces required)

## Accessories, included in all pouches

636 117	Lens tissue
109 335	Lens brush
410 600	Case with cap
633 349	User manual
473 496	Dummy battery for SEB18

# Technical Data LEICA BIG35

## Optics

Magnification	3 x	
Field of view	≥12.5°	
Limit of resolution	minimum	typical
2nd Gen	2.3 lp/mrad	2.86 lp/mrad
3rd Gen*	2.7 lp/mrad	3.20 lp/mrad
DEP XD-4	2.7 lp/mrad	3.20 lp/mrad
	high contrast USAF target, located at infinity	
Objective	f = 75.1 mm	
Aperture	f / 1.17	
Focusing range	10 m to infinity	
Eyepiece (binocular)	f = 25.4 mm	
Eye-base	56 mm to 72 mm	
Dioptic setting	-6 dptr to +2 dptr	
Exit pupil diameter	8 mm	
Eye relief	25 mm	

## Image Intensifier Tube

18 mm, MCP, with automatic brightness control (ABC) and bright point protection (BPP).  
Various makes, from 2nd to 3rd Gen\*, retrofit possible without modification

## Power supply

Alkaline battery	2 x 1.5 V, AA (Mignon)
Lithium battery	1 x 2.8 V AA (Mignon)
Operational life	≥100 h at 20°C (2nd Gen)
	≥70 h at 20°C (3rd Gen)

## Environmental conditions tested to MIL-STD-810

Operational temperature	-35°C to +45°C
Storage temperature	-55°C to +60°C
Humidity	95% rh at +60°C/+30°C
Shock	30 g / 11 ms / ±xyz
Drop test	0.8 m on sand
Vibration	10 Hz to 50 Hz / 0.5 mm / xyz
Pressure drop	353 mbar / -55°C / 2 h equal to 8000 m height above sea level
Immersion (in fresh water)	10 m

## Dimensions

BIG35	Length x width x height 205 mm x 153 mm x 96 mm
-------	--

## Weight

BIG35 (without batteries)	1.19 kg
---------------------------	---------

\* 3rd Gen tubes cannot be exported without a U.S. Government Export License.  
Image intensifiers are subject to international export control regulations.

**Leica**  
Geosystems

Leica Geosystems AG  
Defense & Special Projects  
CH-9435 Heerbrugg  
(Switzerland)  
Telephone +41 71 727 31 31  
Fax +41 71 727 46 79

Illustrations, descriptions, and technical data are not binding and may be changed.  
Printed in Switzerland – Copyright Leica Geosystems AG, Heerbrugg, Switzerland, 1998